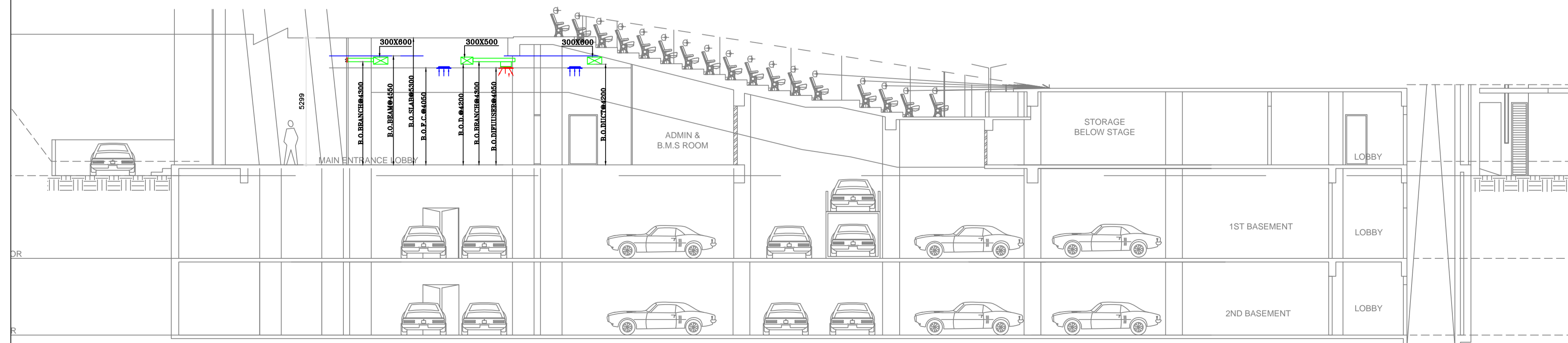
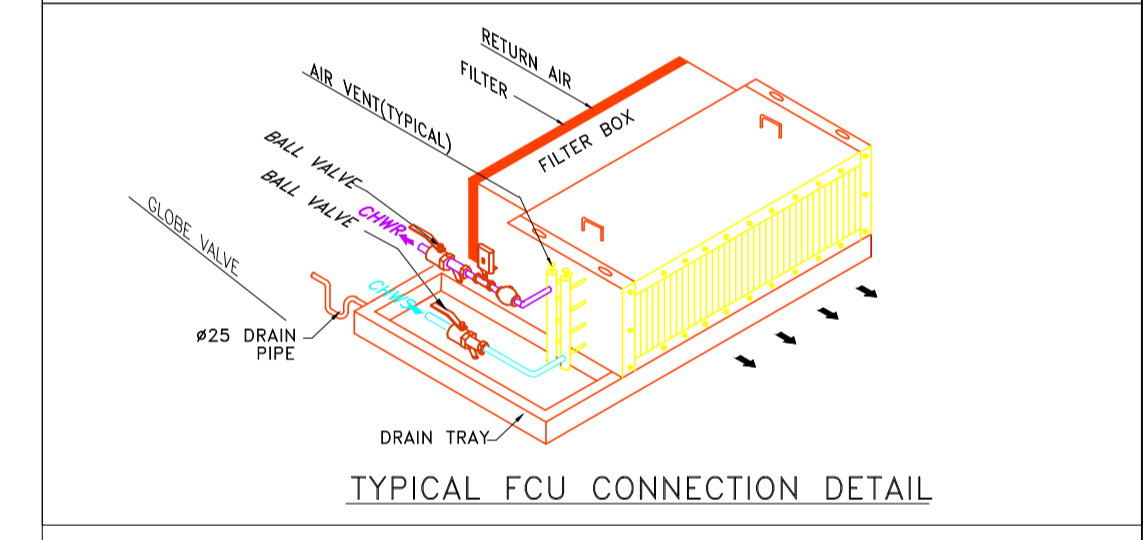
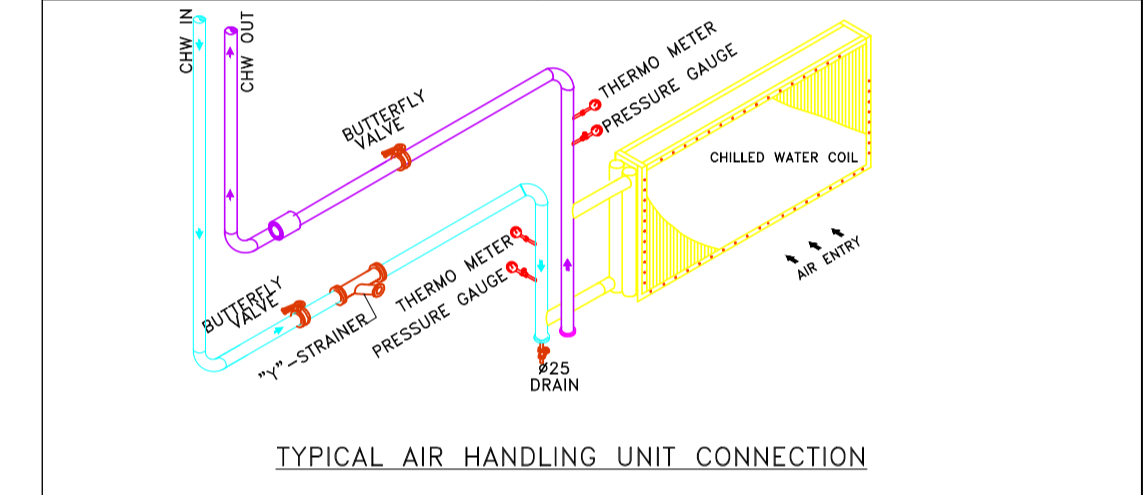
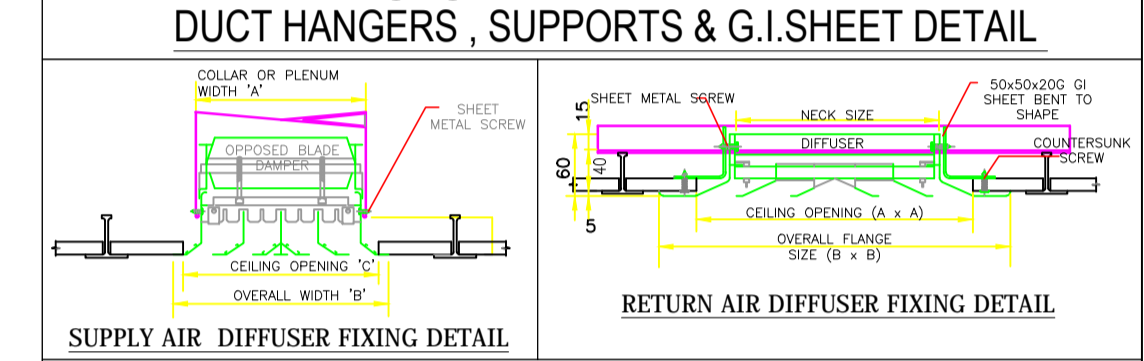
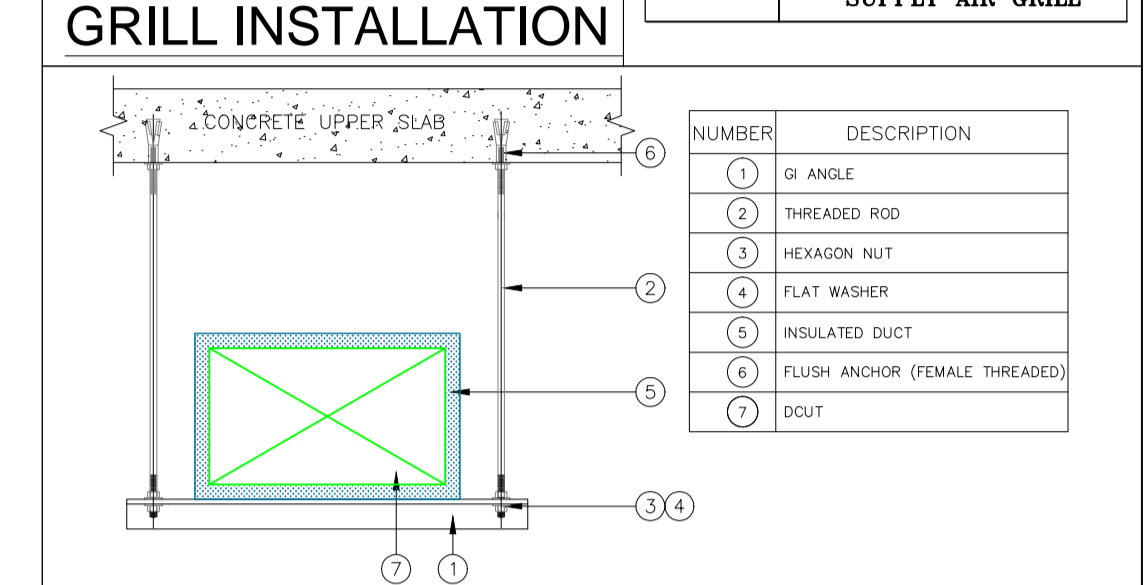
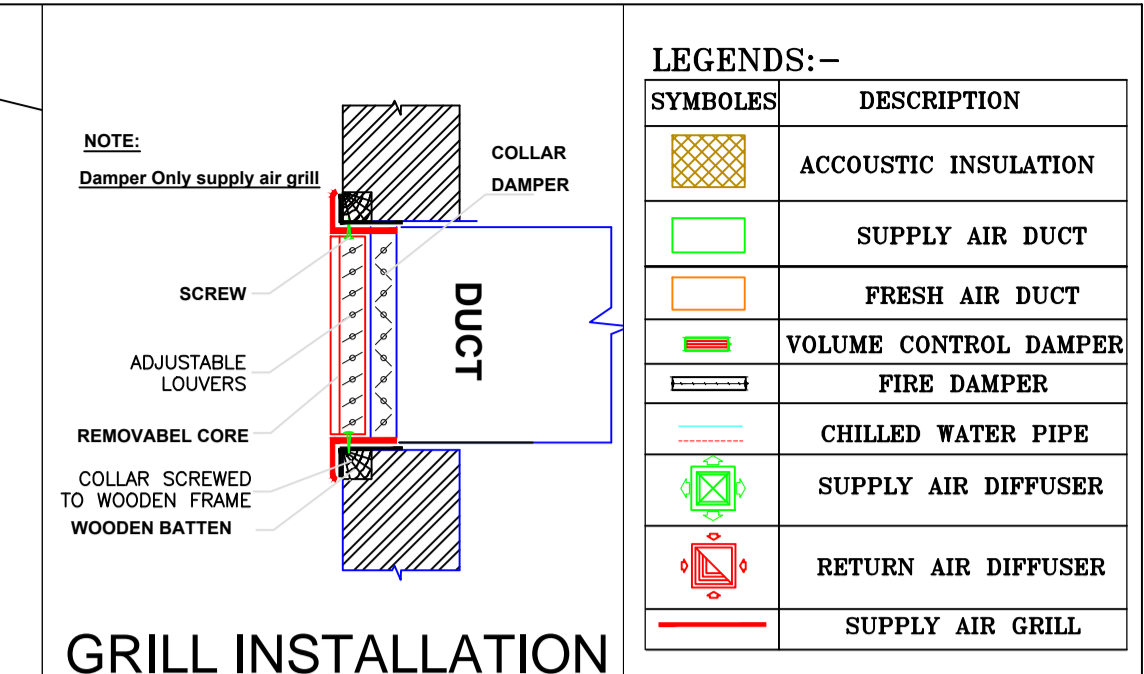


GROUND FLOOR PLAN LEVEL  
SCALE - 1:250



SECTION:-A'A'



|             |                                     |                                    |                          |         |      |
|-------------|-------------------------------------|------------------------------------|--------------------------|---------|------|
| PRELIMINARY | <input checked="" type="checkbox"/> | APPROVED                           | <input type="checkbox"/> | SIGN    | DATE |
| R7          | 1.12.14                             | Revised as per architecture layout |                          | Manisha |      |
| R6          | 25.10.14                            | Revised as per architecture layout |                          | Manisha |      |
| R5          | 23.08.14                            | Revised as per architecture layout |                          | Manisha |      |
| R4          | 23.08.14                            | Revised as per architecture layout |                          | Manisha |      |
| R3          | 23.08.14                            | Revised as per architecture layout |                          | Manisha |      |
| R2          | 3.04.14                             | Revised as per architecture layout |                          | Manisha |      |
| R1          | 3.04.14                             | Revised as per architecture layout |                          | Manisha |      |
| REV         | DATE                                | REMARKS                            | DRN                      | APRD    |      |

PROJECT: PROPOSED HVAC WORK AT AIROLI AUDITORIUM NAVI MUMBAI

CLIENT: NMMC

ARCHITECT: THE FIRM

TITLE: HVAC DUCTING LAYOUT AT GROUND FLOOR

SAINI ENGINEERING & CONSULTANCY

|      |            |          |                  |     |
|------|------------|----------|------------------|-----|
| DRN  | MANISHA    | SCALE    | DWG NO           | REV |
| APRD | J.GUPTA    | 1:100    | SEAC/HVAC/DWG-02 | R7  |
| DATE | 11/12/2013 | PAPER:A1 |                  |     |